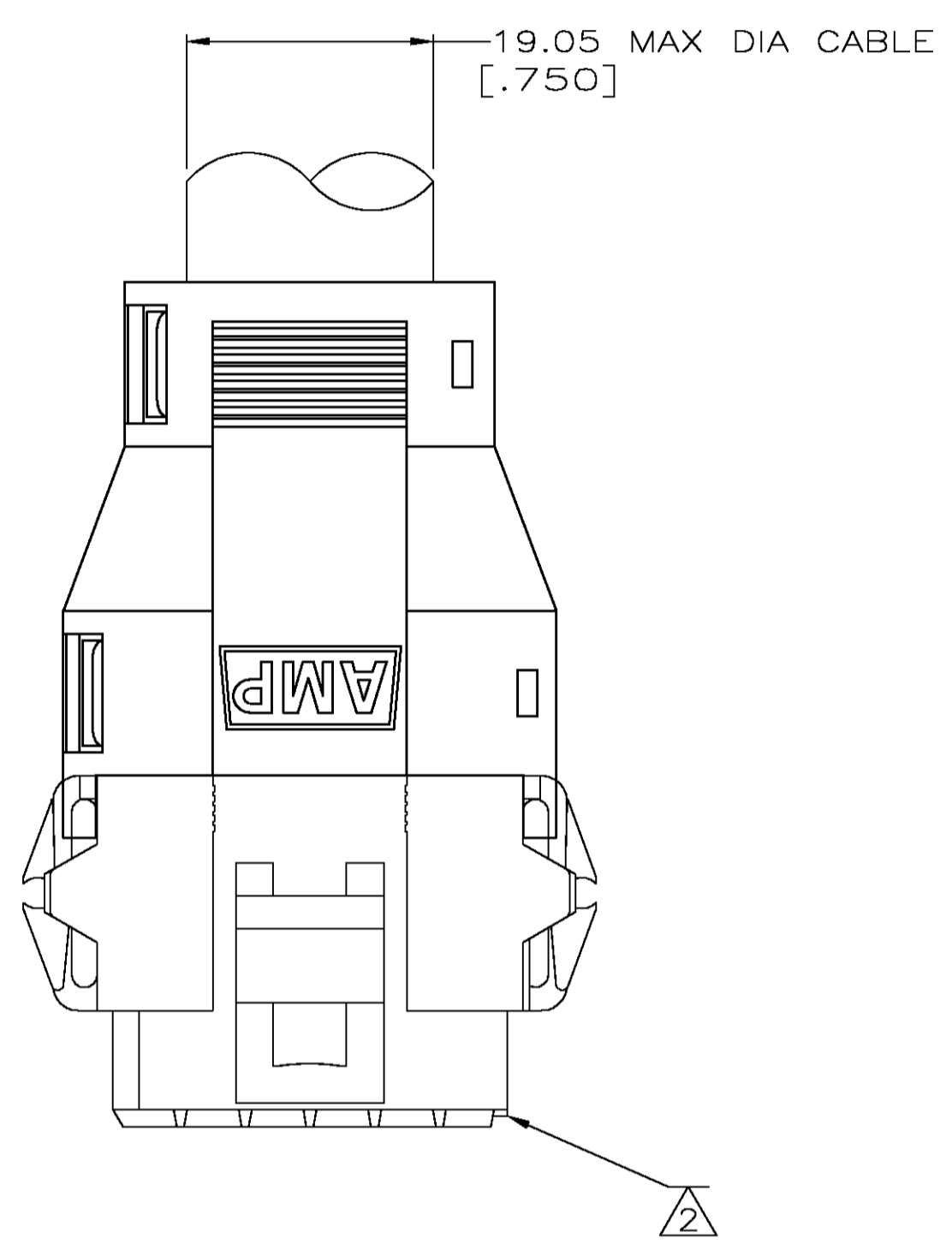
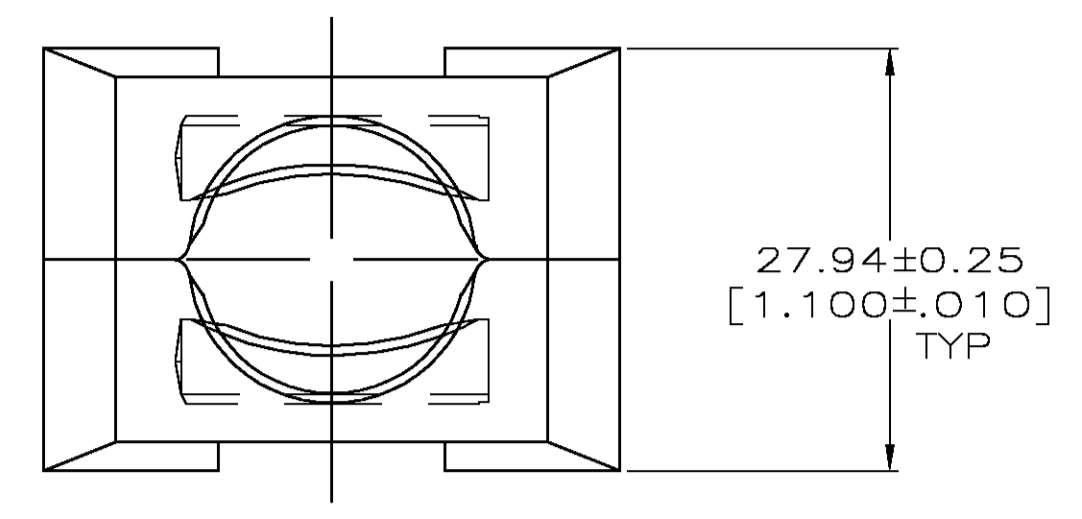
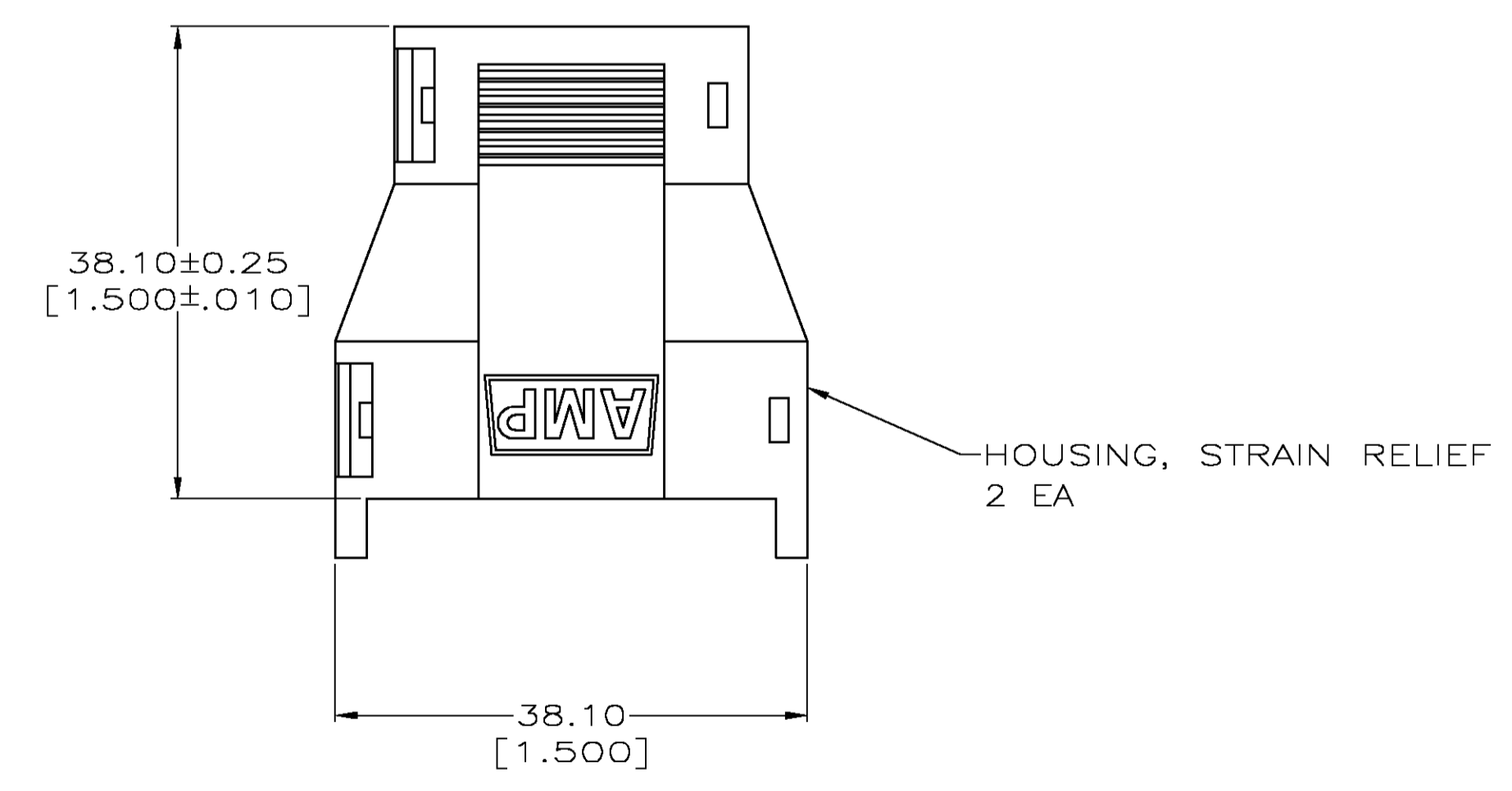
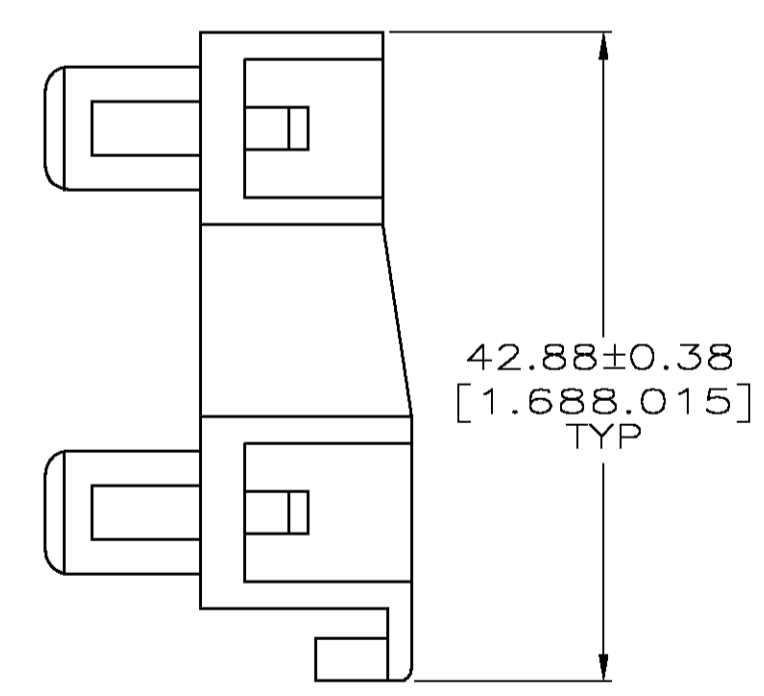
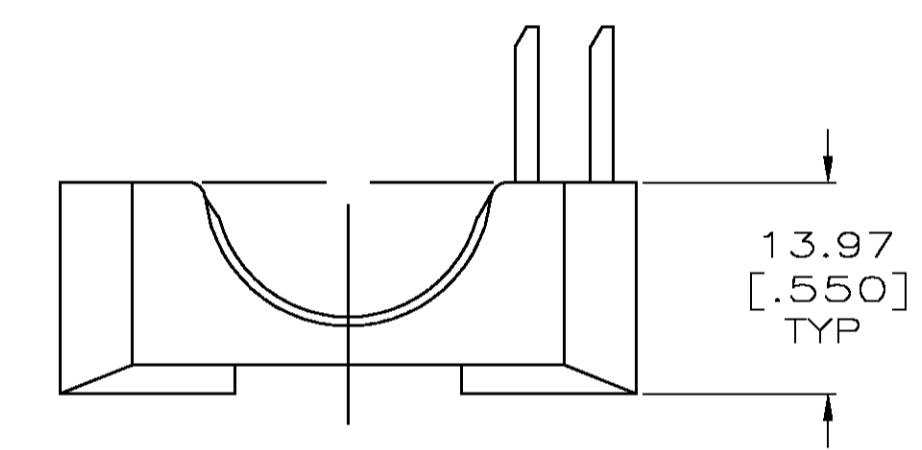
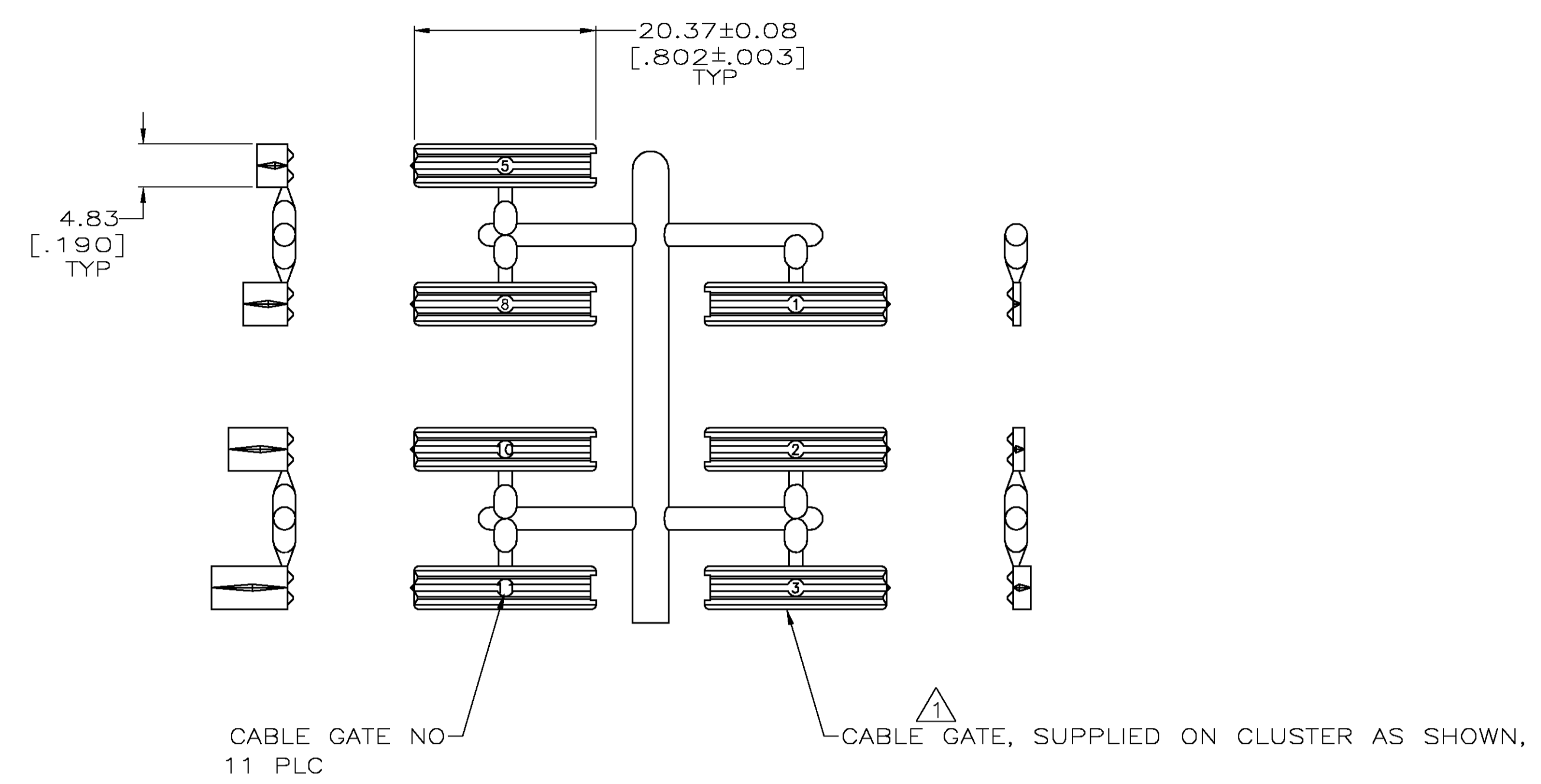


LOC		DIST		REVISIONS			
FT	O	P	LTR	DESCRIPTION	DATE	DNW	APVD
E				REVISED PER 063B-1122-04	12/1/04	SS	GS



ASSEMBLED VIEW



- △ A VARIETY OF CABLE GATES ARE PROVIDED TO ACCOMMODATE A VARIETY OF CUSTOMER CABLE SIZES.
- △ PLUG SHOWN FOR REFERENCE ONLY, STRAIN RELIEF CAN BE USED ON EITHER PLUG OR RECEPTACLE.

207088-1  
PART NUMBER

THIS DRAWING IS A CONTROLLED DOCUMENT.		DNW J. McCLINTON 1-24-92	 Tyco Electronics Corporation Harrisburg, Pa 17105-3608
DIMENSIONS: INCHES		CHK R. STONE 1-29-92	
TOLERANCES UNLESS OTHERWISE SPECIFIED:		APVD -	NAME
0 PLC ± -	1 PLC ± -	PRODUCT SPEC	STRAIN RELIEF KIT, UNASSEMBLED,
2 PLC ± -	3 PLC ± 0.13[.005]	APPLICATION SPEC	24 POSITION, METRIMATE
4 PLC ± -	ANGLES ± -	SIZE	A1
MATERIAL NYLON, NATURAL RED	FINISH -	WEIGHT	00779
CUSTOMER DRAWING		SCALE	2:1
		SHEET	1 OF 1
		REV	E