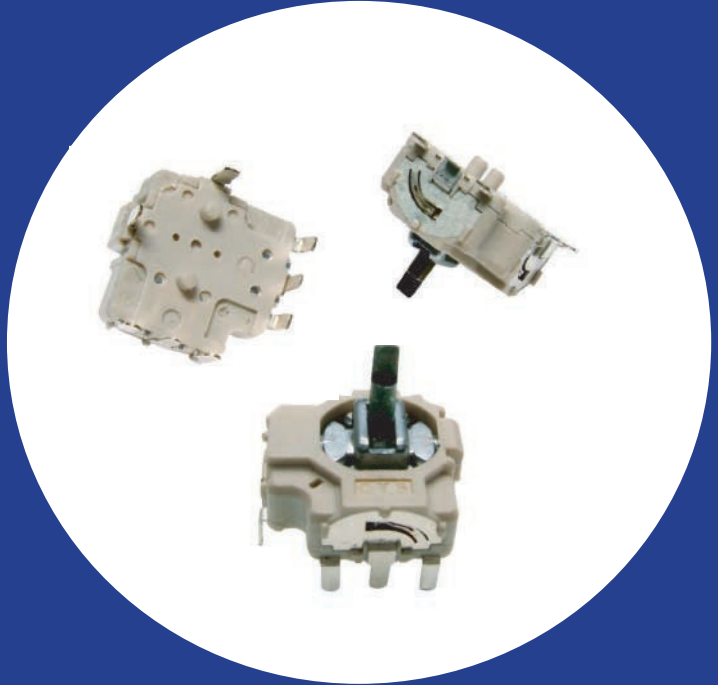


Two Axis, Ultra-miniature Joystick With Optional Momentary Switch

Features

- Smallest mini-joystick available (11x11x5 mm)
- Long Life 1 Million Cycles
- Provides excellent electrical accuracy through patented mechanism
- Optional momentary switch is operational at all positions
- RoHS compliant



Pat. Nos.: US 7,199,314 , Taiwan 279822, Pat. Pending in China

Electrical and Mechanical Specifications

Potentiometer 1 & 2

Resistance Range

10 K ohms through 100 K ohms

Resistance Tolerance

± 30%, ± 20%, ± 10%

Dielectric Strength

250 VAC 50 / 60 Hz for 1 minute

Insulation Resistance

100 megohms @ 250 VDC for 1 minute

Operational Torque

120 ± 50 gf.cm

Power Rating

0.0125 watt @ 50°C

Maximum Operating Voltage

50 VAC or 5 VDC maximum

Rotational Angle

55°

Life

1,000,000 cycles

Optional Switch

Switch Type

Momentary

Contact Resistance

100 milliohms maximum initially

200 milliohms maximum after 200,000 cycles switching 5 mA @ 5 VDC

Insulation Resistance

100 megohms minimum @ 100 VDC for 1 minute

Operational Force

650 ± 150 gf

Power Rating

5 VDC, 5 mA maximum

Travel

0.6 ± 0.2mm

Switch Life

200,000 cycles

Electrical and Mechanical Specifications

Potentiometer 1 & 2

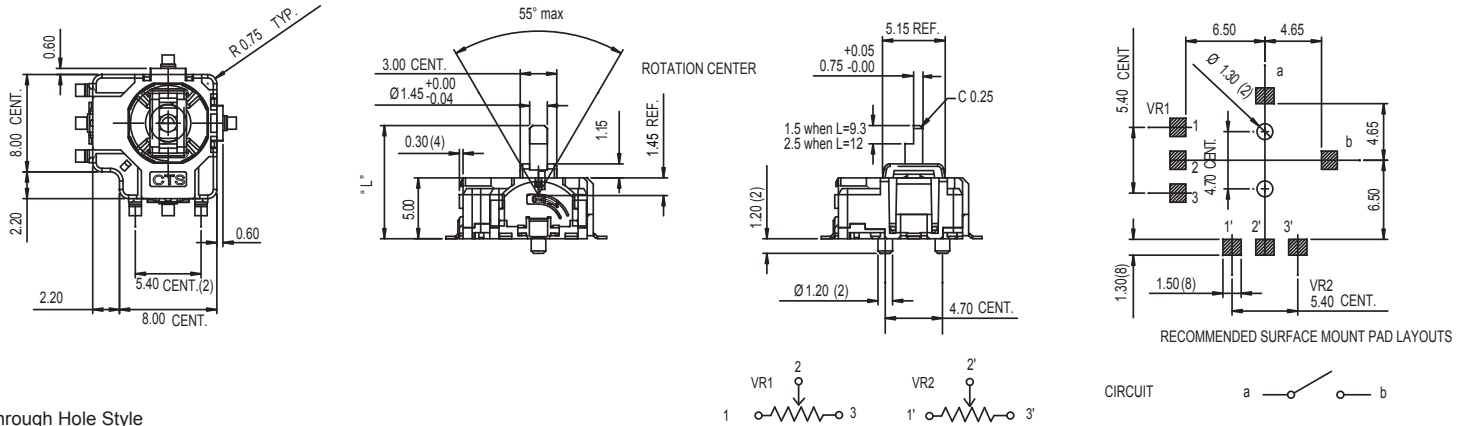
Operating Temperature
-10°C to +80°C

Soldering Heat Resistance
260°C for 5 seconds

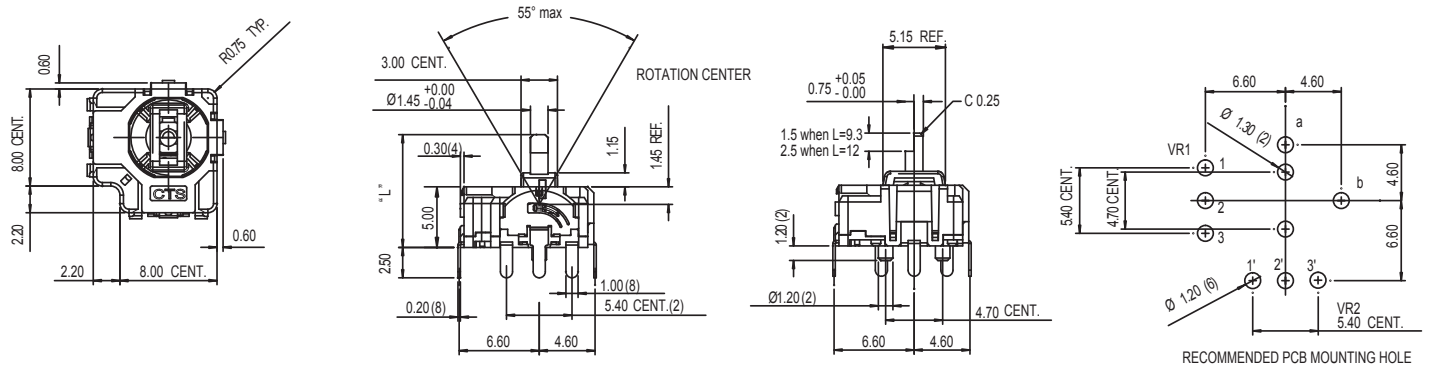
Mounting Information
Through hole or Surface Mount terminal

CTS Series 254 DIMENSION: mm

Surface Mount Style



Through Hole Style



Ordering Information

254

T

B

103

C

50

A

| TERMINAL STYLE | DRIVE ARM LENGTH DIM "L" | RESISTANCE CODE EXAMPLES | RESISTANCE TOLERANCE | EFFECTIVE ANGLE | SWITCH CONFIGURATION |
|---------------------------------------|---|--|----------------------------------|----------------------|--|
| S - SURFACE MOUNT T - THROUGH HOLE | LENGTH FROM MOUNTING SURFACE A - 9.3 mm B - 12.0 mm | CODE RESISTANCE 103 10K 104 100K | A - ±10% B - ±20% C - ±30% | 50 - 50° 55 - 55° | A - W/O SWITCH B - MOMENTARY SWITCH |

STANDARD PART (QUICK DELIVERY) - 254TA103C50A, 254TA103C50B, 254SA103C50A, 254SA103C50B